

Kavian Golden Services
Tel : 021- 41319

www.monogram.ir
Instagram: monogram_iran



HOME APPLIANCES

www.monogram.com
www.monogram.ir



Why Built-in?

Integrated appliances allow you to make the best possible use of the space available in your kitchen. By opting for built-in and integrated appliances, you can ensure a contemporary and unified look across the whole room.

In the past, people tended to make do with a series of miss-matched freestanding appliances. Now everyone is realising that integrated units offer the flexibility to create a sleeker and more stylish kitchen.



MGBM4433GE

MGB07213BGE

MGBW11XGE



MGBC6045DB

MGB07369XSGE

MGBW11XGE



MGBM5006BGE

MGB07555BGE



MGBM2808XGE

MGB07222XGE

MONOGRAM

Ovens for Every Cooking Style

SPECIALLY DESIGNED TO COMPLEMENT OUR OVENS IN STYLING AND FUNCTIONALITY, WE OFFER A WIDE RANGE OF DIFFERENT FINISHES AND SIZES. FROM STAINLESSSTEEL TO FULLY GLASS, FROM 60CM TO 90CM WIDTH, SO YOU CAN CREATE YOUR OWN DREAM KITCHEN WITH EASE.



Hot air blocking

AIR SAFEGUARD Optional function

Can't wait to take your culinary masterpiece out from the oven but can't bear the burning hot air flow directly to your face? With Air Safeguard, this will become a thing of past.

Air Safeguard is an advanced air diversion technology. Every time when the oven door is opened, air safeguard will be activated automatically. It redirects the cool air and forms an invisible curtain in front of the cavity, blocking the burning-hot air flows directly to your face. Keep you safe with a more comfortable cooking experience.



Dual cooling

AIR FLUE

We assure you a consistent experience in cooking result and operation.

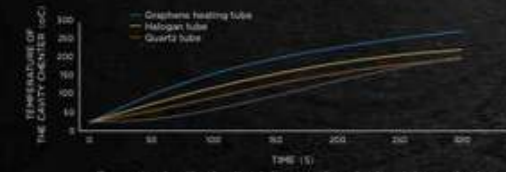
Our Air Flue system actively protects you from being burned when touching the door glass unexpectedly during cooking.

Two separated air flue system ensures the hot air can be released through the chimney while the cool air keeps the oven door safe to be touched.



Graphene Heating Technology

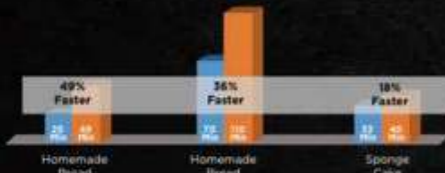
The innovative Graphene heating tubes have benefits of quicker heat transfer, higher maximum temperature and shorter heat up time. It will provide you faster cooking experience by skipping the preheat process as it can heat up to the temperature you want in a flash, cutting up to 49% cooking time* comparing to traditional oven while saving the energy cost by preheating.



Comparing to other heating tubes, graphene heating tube can heat up oven cavity center in shorter time.
* Internal lab data



Graphene heating tube heats up to 100 °C in just 0.16s while quartz tube takes 2.21s.*



017 PRODUCT ADVANTAGES

* Functions depend on model 018



Advanced Cleaning System Highlights

Pyrolytic Self-cleaning

Pyrolytic self-cleaning is an automatic process during which the oven will be heated up to 450°C and the residue inside the cavity is incinerated to ash. Simply clean the cavity with a damp cloth, making arduous scrubbing and abrasive cleaners a thing of the past.

Seamless Cavity

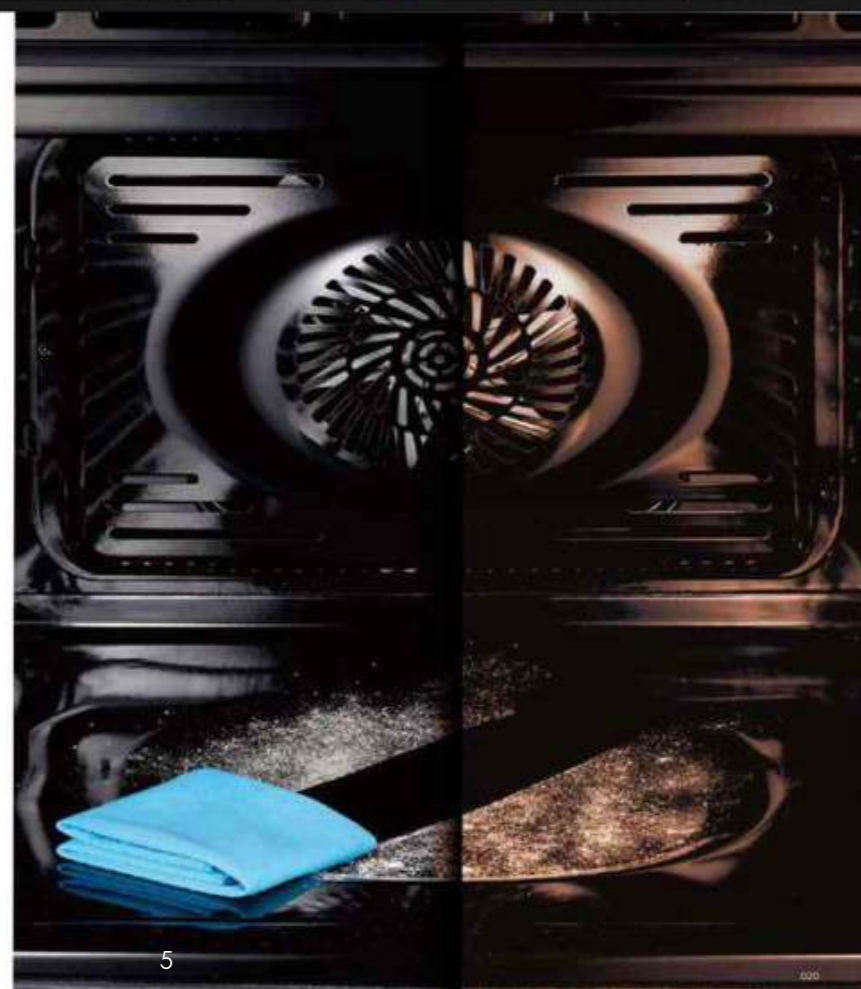
With the advanced structural design and exquisite craftsmanship, all the welding mark of the oven cavity is perfectly concealed, which leaves no space for oil stain and food residues to hide inside the cavity.

Catalytic Liner

Liners with a special enamel coating protect the sidewalls of the oven. Grease splattered onto the sides of the oven is then broken down, leaving the oven interior remarkably clean.



019 PRODUCT ADVANTAGES



5

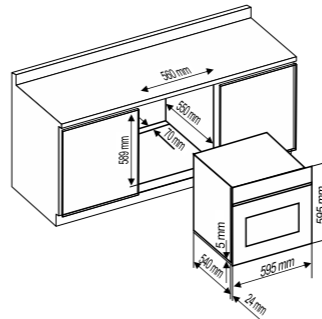
020

Built-in ovens



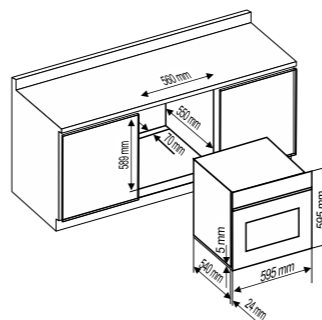
MGBO750314XGE

75 L Ceramic cavity
blue LED knob and display
1 deep trays, 1 grill ware,
side rack, telescopic rail, rotisserie, meat
prob and soft close and open door



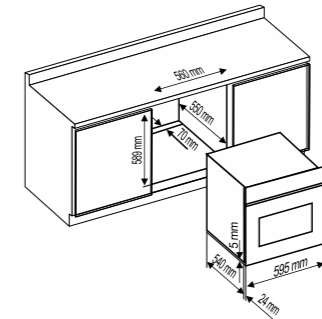
MGBO7222XGE

72 L ceramic cavity digital control
2 layers door glass,
Red LED display
flat cavity with side racks
1* shallow & 1* deep baking tray



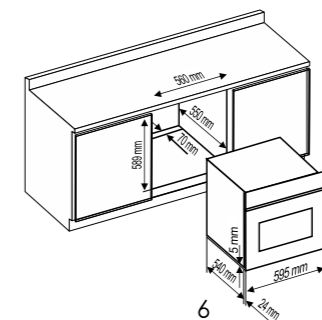
MGBO7213XGE

72L ceramic cavity/ 13 functions
Forced cooling system/ Full touch control
Full glass inner door / 2 cavity lighting / 2 layers door glass
Seamless ceramic cavity
Easy removable inner door glass
Easy removable clip-on shelf
LED Full Touch Control / Child safety lock



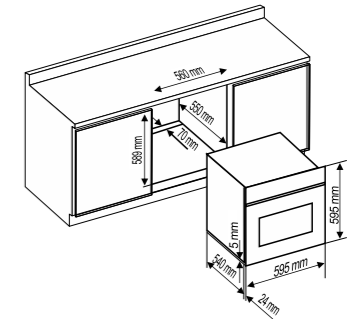
MGBO7635XGE

72 L Enamel Cavity/ 3 layers door glass
illuminated knobs / 11 functions/ Telescopic rail
2 Trays Soft Close door



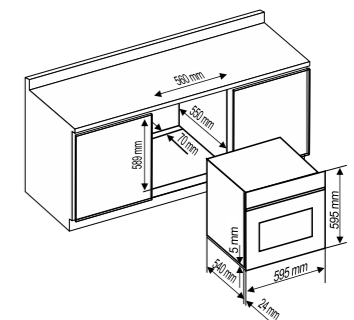
MGBO7511XGE

75L ceramic cavity TFT touch control
2 layers door glass
flat cavity with side racks
1* shallow & 1* deep baking tray



MGBO7687XGE

72 L Enamel Cavity/ 3 layers door glass
Telescopic rail
LED display
2 Trays Soft Close door
31 functions
Double lighting
Touch control



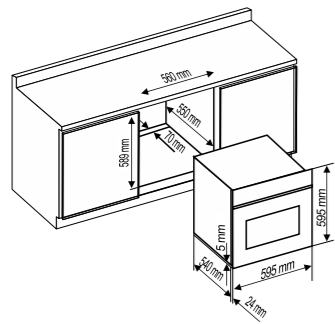
6

Built-in ovens



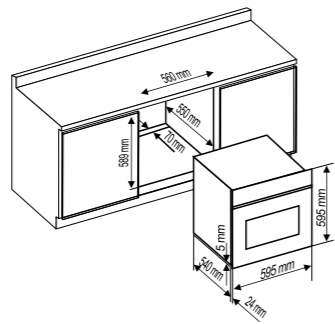
MGB07689XGE

72 L Enamel Cavity / 3 layers door glass
Telescopic rail
LED display
2 Trays Soft Close door
31 functions
Double lighting
Touch control
Open up function



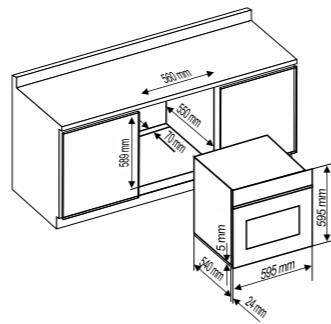
MGB07369XSGE

Full Steam function
72 L Enamel Cavity / 3 layers door glass
LED display
2 Trays / Soft Close door
40 function
Double lighting
Touch control



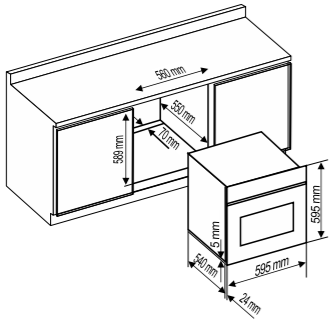
MGB07315XGE

73L Enamel cavity / Multi Function Electric Oven
Touch control
Removable side racks 5 position
With 1 Pair Two Fold Telescopic Rails,
Meat Probe, With 1 roundlight,
3 Layers glass door
1 Universal tray, 1 Deep Tray,



MGB07555BGE

72 L Ceramic Cavity / 3 layers door glass
2 Knobs + Touch Control
White LED display
Removable
Side rack
5 position



Hoods

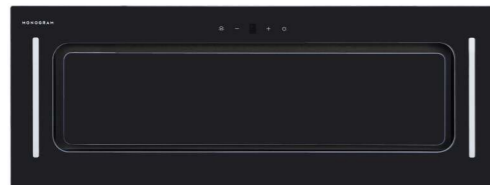
Hoods of all shapes & sizes

OUR HOODS ARE DESIGNED TO CATER FOR EVERY KITCHEN. EFFICIENT, QUIET AND EQUIPPED WITH BUILT-IN LIGHTING, THE DESIGN AND PLACEMENT OF YOUR HOOD CAN BE AS FLEXIBLE AS YOUR LIVING SPACE.



DC Dual

Glass model
Touch control system with sensor
80 Cm



Konvex

70 Cm
Suction capacity of 750 cubic meters
Stainless steel frame



OMEGA X

70 Cm
Suction capacity of 750 cubic meters
Stainless steel frame



Konvex Silver

Glass model
Touch control system with sensor
80 Cm

Built-in Combi Microwave Oven

A microwave oven is a type of oven that heats food through microwave electromagnetic radiation and sets water molecules and other polarized molecules in motion, causing the food to cook in a short time.

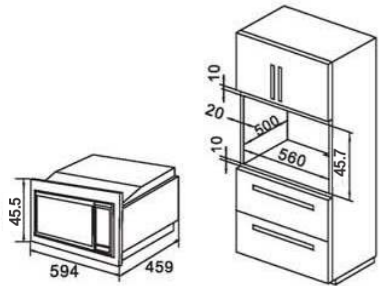


Built-in Combi & Microwave Oven



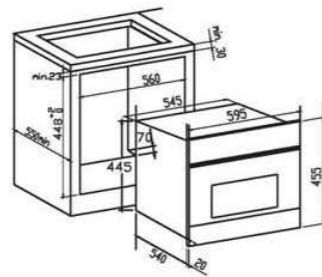
MGBM5006BGE

50 L
Compact microwave oven with convection
Ceramic Cavity
Touch Control / 2 Knobs
8 Cooking functions
4 Combi functions



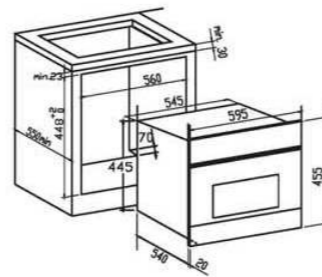
MGBM4433XGE

50 L Compact oven with microwave
Electronic child safety lock
Black Ceramic flat cavity
LED light / 5 shelf positions
2 layers door glass
8 oven cooking functions
4 combi functions (grill with microwave)



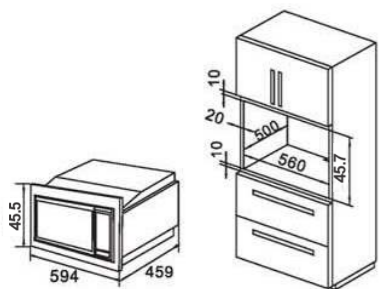
MGB4411XGE

50 L
Compact oven with microwave
Ceramic cavity
13 auto menus
1* Ceramic backing tray
1*Glass turn table
1*Grill rack



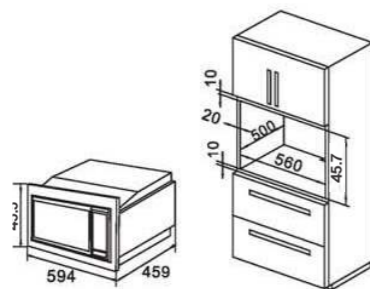
26x

26 L
Built-in Microwave
With grill
S/S Cavity
8 Cooking Menus



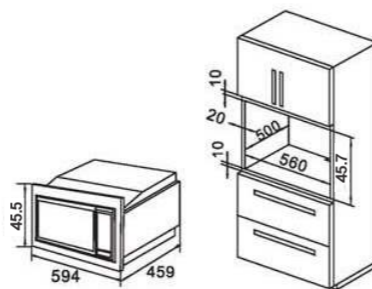
MGBM2880XGE

26 L
Built-in Microwave
With grill
S/S Cavity
Red LED display
8 Cooking Menus



MGBM4512XGE

38 L
Microwave oven
With grill
S/S Cavity
Full touch control
8 buttons smart
3 layers door



Built-in Washing machine

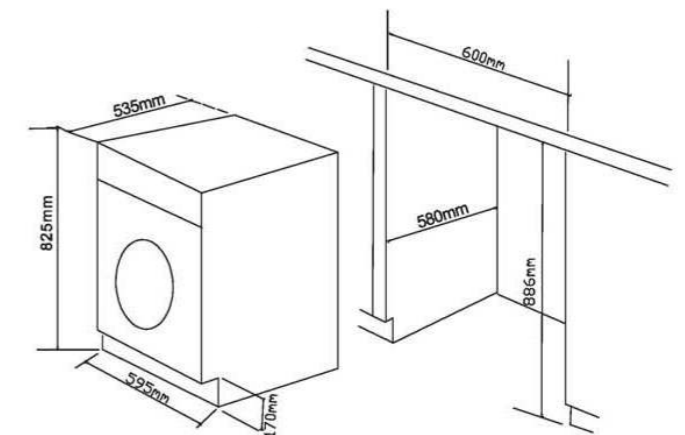


BWD-B1209G

Feature

Built-in Washing Machine

- Built-in Installation
- Control panel
- Electronic washing management
- Adjustable thermostat (°c) : cold-15-20-30-40-50-60-90
- Number of programmes : 11
- Fast programme (min): 15
- Auto weight; Intense button;
- Extra rinse; Dry button
- Delicate fabrics programmen
- Resistant fabrics programme
- Delayed timer; Delayed door opening
- Automatic regulation of water consumption
- Glass door diameter (cms): 32
- Reversible door; condenser dryer
- Optional door cover installation
- Removable work top; Adjustable front feet;
- Adjustable back feet
- Mortor: Icm Motor; Aquastop; Aquaproof
- Overall measurements (WxDxH)mm: 595x535x825
- Packaging information (WxDxH)mm: 615x667x895



Flexible & Accommodating Dishwasher

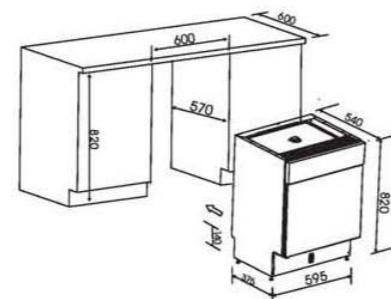
EVERY DAY IS DIFFERENT, AND THIS IS AS TRUE FOR YOUR DISHWASHER AS IT IS FOR YOU. FROM THE BIGGEST PAN TO THE SMALLEST SPOON, OUR FULL-SIZED DISHWASHERS ARE READY TO HANDLE EVERY MEALTIME EVENTUALITY.



MOB1563XG

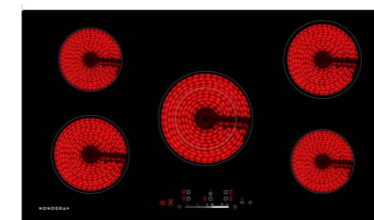
Feature

- 60cm Fully Integrated Dishwasher
- 12/14 place setting capacity
- 7 programs: Intensive, normal, economic, rapid and pre-rinse; crystal; 60 min. rapid
- Stainless steel interior;
- Electronic control with LED Display
- Water overflow protection;
- Height adjustable upper basket;
- Child lock; 3 in 1 included
- Dimension (W-D-H mm): 596x560 x 820mm



Cooking Starts from a Hob

WITH A RANGE OF GAS, CERAMIC AND INDUCTION HOBS TO CHOOSE FROM, THERE'S A BUILT COOK TOP TO SUIT THE NEEDS OF EVERY FAMILY, KITCHEN AND BUDGET.



Built-in Hobs



Built-in Hobs



MGBH302XS21GE

With Defendi burner
1 x Rapid, 1 x Semi-Rapid
Stainless Steel
Cast Iron Pan Support
Metal Knob



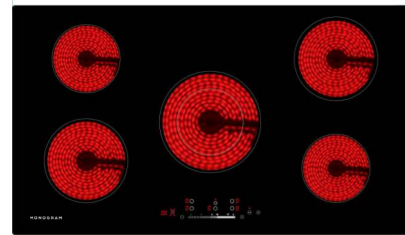
MGBH604XS29GE

With Defendi burner
1 X Wok, 1 x Rapid, 2 x 70 x Semi-Rapid
Tempered Glass Panel
Cast Iron Pan Support
Metal Knob



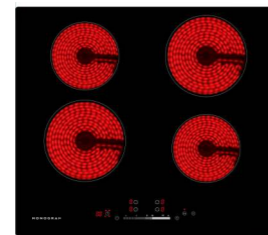
MGBH915XS52GE

With Defendi burner
1 X Wok, 1 x Rapid, 2 x 70 x Semi-Rapid, 1 x AUX
Stainless Steel Panel with Alu. front panel
Cast Iron Pan Support
Metal Knob



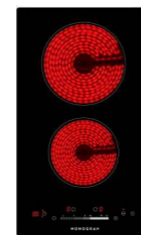
MGBH905GB71GE

Product Size(mm) (L*W*H): 900*520*55
Built-in Size(mm) (L*W*H): 860*480mm
Total power(W): 4800W
Left up zone(W): 1200W
Left down zone(W): 1800W
Middle zone(W): 2000W(1100/900)
Right up zone(W): 1800W
Right down zone(W): 1800W
Housing: metal housing



MGBH605GB72GE

Product Size(mm) (L*W*H): 590*520*55
Built-in Size(mm) (L*W*H): 560*490mm
Total power(W): 4800W
Left up zone(W): 1200W
Left down zone(W): 1800W
Right up zone(W): 1800W
Right down zone(W): 1800W
Housing: metal housing



MGBH305GB73GE

Product Size(mm) (L*W*H): 295*510*55
Built-in Size(mm) (L*W*H): 270*480mm
Total power(W): 3000W
Up zone(W): 1800W
Down zone(W): 1200W
Housing: metal housing



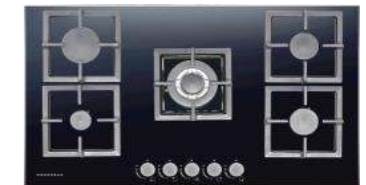
MGBH915XS51GE

With Defendi burner
1 X Wok, 1 x Rapid, 2 x 70 x Semi-Rapid, 1 x AUX
Stainless Steel Panel
Cast Iron Pan Support
Metal Knob



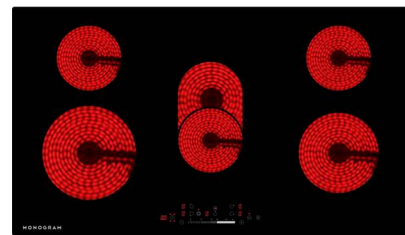
MGBH915XS53GE

With Defendi burner
1 X Wok, 1 x Rapid, 2 x 70 x Semi-Rapid, 1 x AUX
Stainless Steel Panel with Alu. front panel
Cast Iron Pan Support
Iron Pan Support
Metal Knob



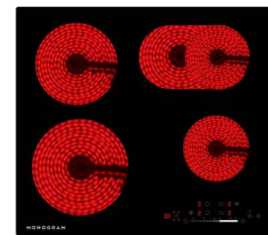
MGBH915GB81GE

With Defendi burner
1 X Wok, 1 x Rapid, 2 x 70 x Semi-Rapid, 1 x AUX
Tempered Glass
Metal Knob
Cast iron pan support



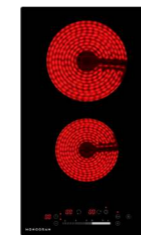
MGBH905GB88GE

Product Size(mm) (L*W*H): 900*520*55
Built-in Size(mm) (L*W*H): 860*480mm
Total power(W): 8600W
Left up zone(W): 1200W
Left down zone(W): 2400W (800+800+800)
Middle zone(W): 2000W(1100/900)
Right up zone(W): 1200W
Right down zone(W): 1800W
Housing: metal housing
Glass: kanger



MGBH604GB86GE

Product Size(mm) (L*W*H): 590*520*55
Built-in Size(mm) (L*W*H): 560*490mm
Total power(W): 7000W
Left up zone(W): 1800W
Left down zone(W): 2000W (1100+1100)
Right up zone(W): 2000W (1100+900)
Right down zone(W): 1200W
Housing: metal housing
Glass: kanger



MGBH302GB83GE

Product Size(mm) (L*W*H): 295*510*55
Built-in Size(mm) (L*W*H): 270*480mm
Total power(W): 3200W
Up zone(W): 2000W (1100+1100)
Down zone(W): 1200W
Housing: metal housing
Glass: kanger



MGBH915GB83GE

With Defendi normal burner
1 X Wok, 1 x Rapid, 2 x 70 x Semi-Rapid, 1 x AUX
Tempered Glass Panel with Alu. front panel
Cast Iron Pan Support
Metal Knob



MGBH915GB82GE

With Defendi burner
1 X Wok, 1 x Rapid, 2 x 70 x Semi-Rapid, 1 x AUX
Tempered Glass Panel
Cast Iron Pan Support
Metal Knob



MGBH905GB75GE

With Defendi burner
1 X Wok, 1 x Rapid, 2 x 70 x Semi-Rapid, 1 x AUX
Tempered Glass Panel with Alu. front panel
Cast Iron Pan Support
Metal Knob

Built-in Fridge Built-in Fridge

Built-in Fridge/ Freezer & Wine Cooler

DESIGNED TO SEAMLESSLY FIT AROUND YOUR KITCHEN DESIGN, OUR BUILT-IN SOLUTIONS ALLOW YOU TO CREATE A SLEEK INTEGRATED EFFECT WITHOUT COMPROMISING ON VALUABLE REFRIGERATION SPACE.



MBF250GE



MBR350GE



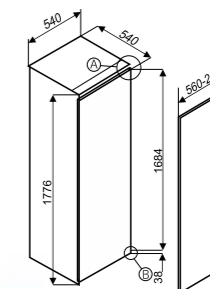
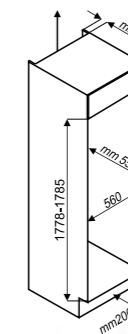
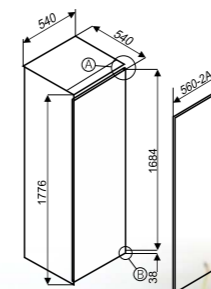
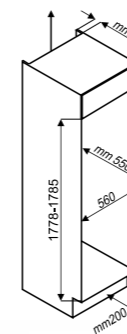
MBF250GE

Built-in Freezer
Energy grade: A
Color: white
Capacity: 250 Lit
Sound 42 db
number of drawer: 7
No frost
European plug



MBR350GE

Built-in Refrigerator
Energy grade: A
Color: white
Capacity: 260 Lit
Sound 42 db
Number of shelves: 5
number of drawer: 2
European plug



Built-in Coffee machine

COFFEE MAKER

Coffee maker (in English :Coffeemaker) or coffee maker, is a tool for preparing coffee . In most coffee makers, the coffee beans are placed in a funnel and the funnel is located on top of the coffee maker. The cold water is in a separate compartment, which is then heated to boiling point and directed into the funnel.

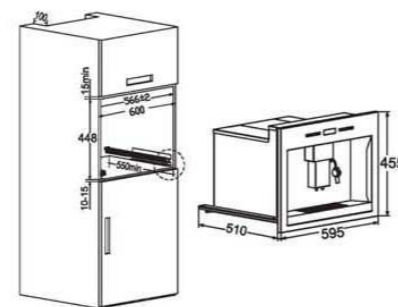
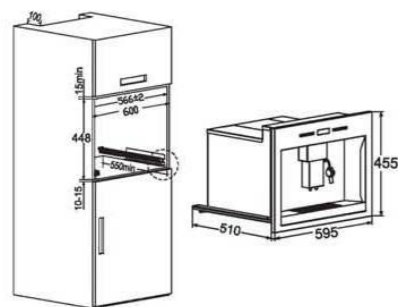


MGBC01XGE

Automatic Coffee machine
LCD display
8 buttons / Smart series / Full touch
Telescopic rail function
Espresso - Cappuccino - Latte
Automatic Self-mainten 8control system
Adjustable coffee grinder 5levels
Pump max press 19 bar

MGBC6045DB

Touch screen control
Automatic shutdown system
Automatic washing system
Adjusting the concentration of coffee
Vapor pressure 15
Ability to use coffee beans
Available drinks: hot water, espresso, cafe latte, cappuccino
Ability to automatically adjust the amount of steam



Built-in Warming drawer

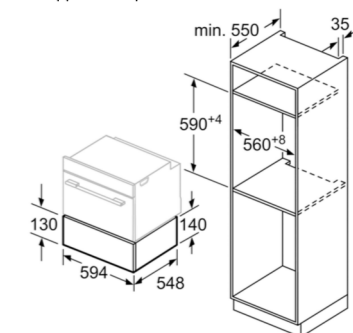
Warming drawer

One of the luxury kitchen items that has a very high price is the warming drawer. This device is designed to keep food warm after cooking. With the warming drawer, you can keep the food that you have cooked in advance at a suitable temperature so that you can enjoy it when you need it.



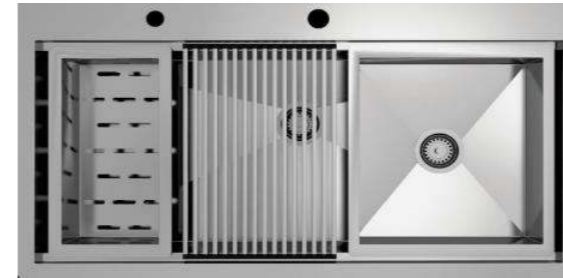
MGBW 11 BGE

Glass model with black S/S frame
Easy open telescopic rail
14 Cm
Max load 20kg
Capacity: 6 places setting
80 Espresso cups
40 Cappuccino cups

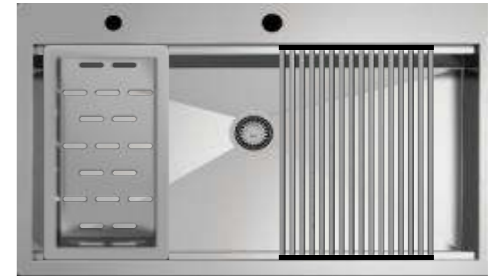


Sinks Sinks

A sink is a basin that is usually used in the kitchen and dishes and food are washed in it. The sink is made of materials such as stainless steel , glazed metals, composite , fiberglass , ceramics and copper alloys .



Stylux 104
Handmade sink
Dimensions 1040x500



Stylux 90
Handmade sink
Dimensions 900x500



Stylux 74
Handmade sink
Dimensions 740x500



Variant 40
Handmade sink
Dimensions 400x400

